



# Liftchain Low Profile Air Chain Hoist

1.5-100 ton



**Corrosion Resistant**  
marine grade paint

**Compact trolley design** minimizes headroom between hook/clevis and bottom of hoist beam

**Articulated trolley** allows up to 20 degree side pulling operation

**Low maintenance**  
gear motor

**Rugged All Steel Construction** delivers long-life and durability

**Integrated upper and lower limit switches** for better protection

**Fully enclosed, automatic multi disc brake** for corrosion resistance

**Corrosion resistant**  
grade 80 load chain

Ideal for:



Onshore



Offshore



Marine



# Liftchain Low Profile Air Chain Hoist

1.5-100 ton

Ingersoll Rand Liftchain Hoists are the most advanced heavy-lifting hoists in the Ingersoll Rand hoist line. They incorporate all the best features we've developed from our decades of experience into a compact, modular frame. The Low Headroom version helps you get the job done where space is restricted.

General Characteristics							
Model	Lifting Capacity Metric Tons	Reeves of Chain	Headroom mm (in)	Trolley Flange Adjustment Range mm (in)	Hoist Weight with 3m (10ft) of chain kg (lb)	Trolley Weight <sup>(1)</sup> kg (lb)	Weight per additional meter of lift kg (lb)
LC2A015SIL	1.5	1	275 (10.8)	81-310 (3.2-12.2)	38 (84)	82 (126)	1.5 (3.3)
LC2A030DIL	3	2	386 (15.2)	81-310 (3.2-12.2)	48 (106)	82 (121)	3 (6.6)
LC2A060QIL	6	4	465 (18.3)	120-310 (4.7-12.2)	74 (163)	176 (315)	6 (13.2)
LC2A060SIL	6	1	475 (18.7)	140-310 (5.5-12.2)	125 (276)	375 (313)	5.7 (12.6)
LC2A080DIL	8	2	590 (23.2)	120-310 (4.7-12.2)	118 (260)	182 (313)	7.6 (16.8)
LC2A120DIL	12	2	670 (26.4)	140-310 (5.5-12.2)	170 (375)	370 (401)	11.4 (25.1)
LC2A180TIL	18	3	730 (28.7)	210-310 (8.3-12.2)	277 (611)	413 (826)	17.1 (37.7)
LC2A250QIL	25	4	775 (30.5)	160-310 (6.3-12.2)	324 (714)	416 (829)	23 (50.7)

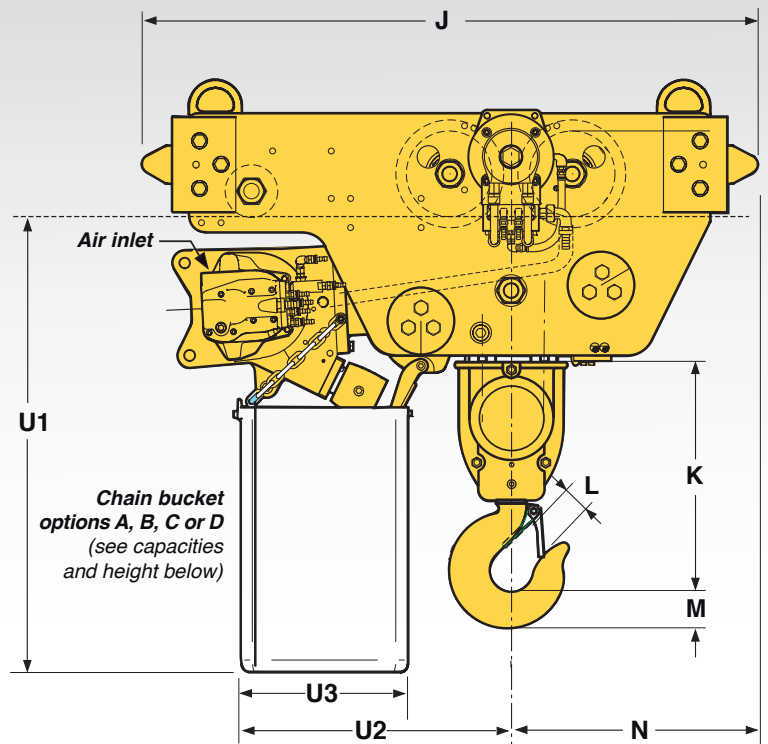
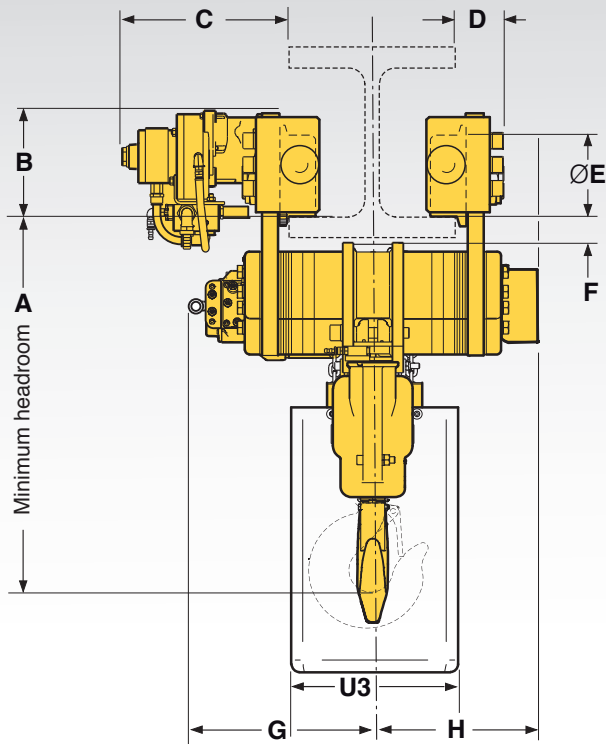
Performance							
Model	Lifting Capacity Metric Tons	Hoist Performance					
		Lifting Speed			Lowering speed m/min (fpm)	Required Air Flow m <sup>3</sup> /min (cfm)	Working Air Pressure bar (psi)
		Full Load m/min (fpm)	No Load m/min (fpm)	Required Air Flow m <sup>3</sup> /min (cfm)			
LC2A015SIL	1.5	6.2 (20.3)	11 (36.1)	8.5 (27.9)	4 (141)	6.3 (90)	
LC2A030DIL	3	3 (9.8)	5.5 (18)	4 (13.1)	4 (141)	6.3 (90)	
LC2A060QIL	6	1.5 (4.9)	2.5 (8.2)	2 (6.6)	4 (141)	6.3 (90)	
LC2A060SIL	6	2.2 (7.2)	3.6 (11.8)	2.7 (8.9)	5.2 (184)	6.3 (90)	
LC2A080DIL	8	1.8 (5.9)	3.5 (11.5)	2.2 (7.2)	4.4 (155)	6.3 (90)	
LC2A120DIL	12	1.1 (3.6)	1.8 (5.9)	1.3 (4.3)	5 (177)	6.3 (90)	
LC2A180TIL	18	0.7 (2.3)	1.2 (3.9)	0.9 (3)	5 (177)	6.3 (90)	
LC2A250QIL	25	0.5 (1.6)	0.9 (3)	0.6 (2)	5 (177)	6.3 (90)	

Performance					
Model	Trolley Performance				
	Powered Trolley Traverse Speed <sup>(1)</sup> m/min (fpm)	Required Air Flow m <sup>3</sup> /min (cfm)	Working Air Pressure bar (psi)	Minimum Curve Radius m (ft)	Sound Level dbA
	LC2A015SIL	21 (69)	1.3 (45.9)	6.3 (90)	2 (6.6)
LC2A030DIL	17 (56)	1.3 (45.9)	6.3 (90)	2 (6.6)	78
LC2A060QIL	15 (49)	1.3 (45.9)	6.3 (90)	3 (9.9)	78
LC2A060SIL	15 (49)	1.3 (45.9)	6.3 (90)	3 (9.9)	79
LC2A080DIL	12 (40)	1.3 (45.9)	6.3 (90)	3 (9.9)	76
LC2A120DIL	12 (40)	1.5 (53)	6.3 (90)	3 (9.9)	79
LC2A180TIL	15 (49)	1.9 (67.1)	6.3 (90)	5 (16.4)	79
LC2A250QIL	15 (49)	1.9 (67.1)	6.3 (90)	5 (16.4)	79

(1) In Rack & Pinion configuration, the trolley speed is divided by 2.

(2) Sound pressure levels are measured per European standard EN 14492-2

(3) Weight of low headroom hoist / trolley with standard height of lift (3 m) and standard length of control (2 m).

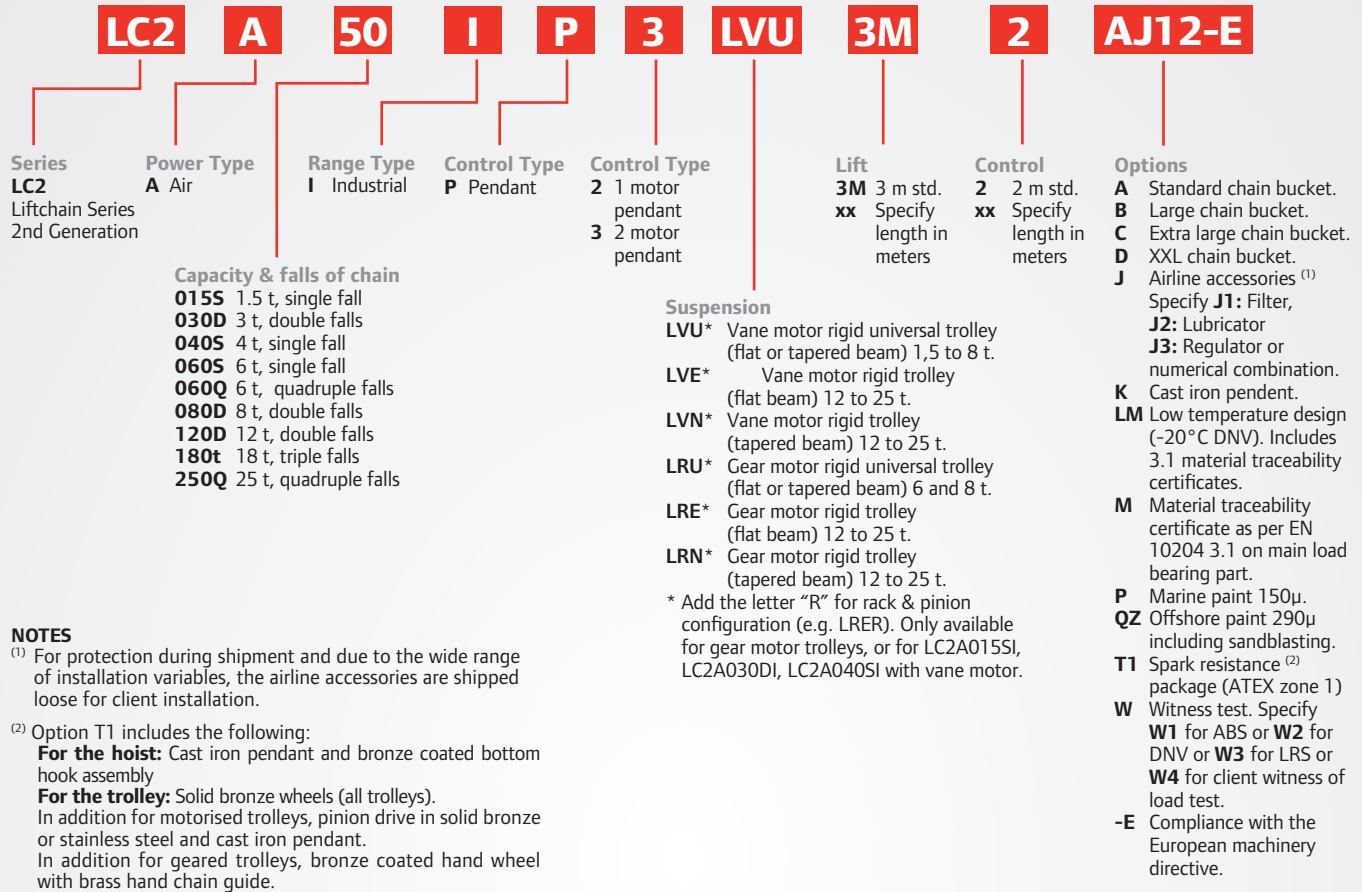


Dimensions mm (in)													
Model	A	B	C	D	E	F	G	H	J	K	L	M	N
LC2A060S	475 (18.7)	258 (10.2)	318 (12.5)	101 (4.0)	160 (6.3)	50 (2.0)	348 (13.7)	311 (12.2)	1,164 (45.8)	228 (9.0)	43 (1.7)	50 (2.0)	409 (16.1)
LC2A120D	638 (25.1)	258 (10.2)	318 (12.5)	101 (4.0)	160 (6.3)	50 (2.0)	348 (13.7)	311 (12.2)	1,164 (45.8)	424 (16.7)	58 (2.9)	67 (2.6)	466 (18.3)
LC2A180T	688 (27.1)	258 (10.2)	371 (14.6)	120 (4.7)	225 (8.9)	50 (2.0)	272 (10.7)	387 (15.2)	1,164 (45.8)	484 (19.1)	78 (3.1)	80 (3.2)	447 (17.6)
LC2A250Q	740 (29.1)	258 (10.2)	371 (14.6)	120 (4.7)	225 (8.9)	50 (2.0)	405 (16.0)	254 (10.0)	1,164 (45.8)	530 (20.9)	87 (3.4)	87 (3.4)	466 (18.3)

Chain Container Dimensions for 9m (30 ft) standard lift <sup>(1)</sup>			
Model	U1 mm (in)	U2 mm (in)	U3 mm (in)
LC2A060S	570 (22.4)	860 (33.9)	315 x 315 (12.4 x 12.4)
LC2A120D	600 (23.6)	1060 (41.7)	315 x 315 (12.4 x 12.4)
LC2A180T	615 (24.2)	1060 (41.7)	550 x 400 (21.7 x 15.7)
LC2A250Q	600 (23.6)	1060 (41.7)	550 x 400 (21.7 x 15.7)

<sup>(1)</sup> Chain containers are available with many other dimensions. Please contact your sales representative for details.

## How to Order



For More Information [www.ingersollrandproducts.com/lifting](http://www.ingersollrandproducts.com/lifting) [lifting@irco.com](mailto:lifting@irco.com)

Ingersoll Rand, IR, the IR logo and Impactool are trademarks of Ingersoll Rand, its subsidiaries and/or affiliates. All other trademarks are the property of their respective owners. Nothing contained on these pages is intended to extend any warranty or representation, expressed or implied, regarding the product described herein. Any such warranties or other terms and conditions of sale of products shall be in accordance with Ingersoll Rand's standard terms and conditions of sale for such products, which are available upon request. Product improvement is a continuing goal at Ingersoll Rand. Designs and specifications are subject to change without notice or obligation. Unless otherwise noted this equipment is not designed for transporting people or lifting loads over people. It is the user's responsibility to determine the suitability of this product for any particular use and to check compliance with applicable regulations. Before installation, see maintenance and operations manual for additional warnings and precautions.