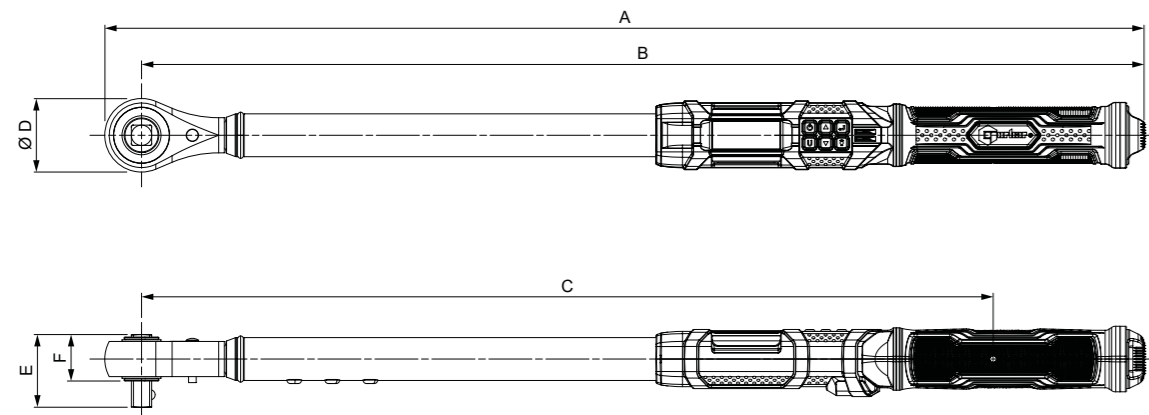


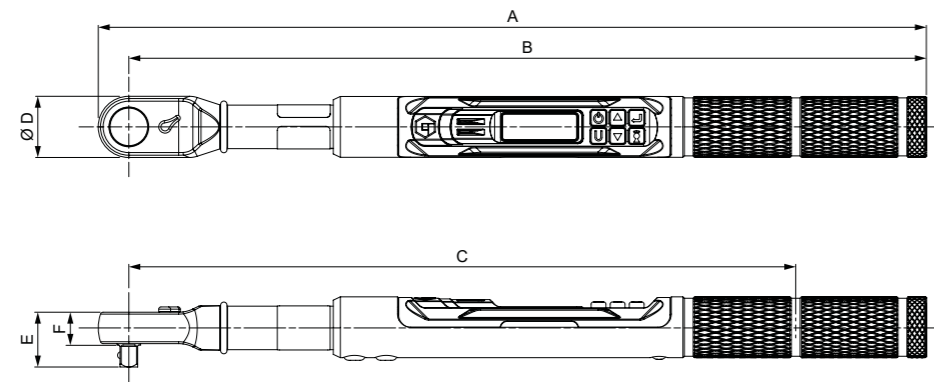
ProTronic® Plus Electronic Torque Wrench

Model	ProTronic Plus 100	ProTronic Plus 100	ProTronic Plus 200	ProTronic Plus 340	ProTronic Plus 800
Part Number	130512	130513	130514	130515	130516
Torque Range (N-m)	5 - 100	5 - 100	10 - 200	17 - 340	40 - 800
Square Drive	½"	½"	½"	½"	½"
Dimensions (mm)	A	458	462	650	749
	B	439	439	627	723
	C	344	344	533	629
	ØD	38	46	46	52
	E	34	45	45	45
	F	21	29	29	29
Weight (kg)	1.15	1.30	1.65	1.85	4.95

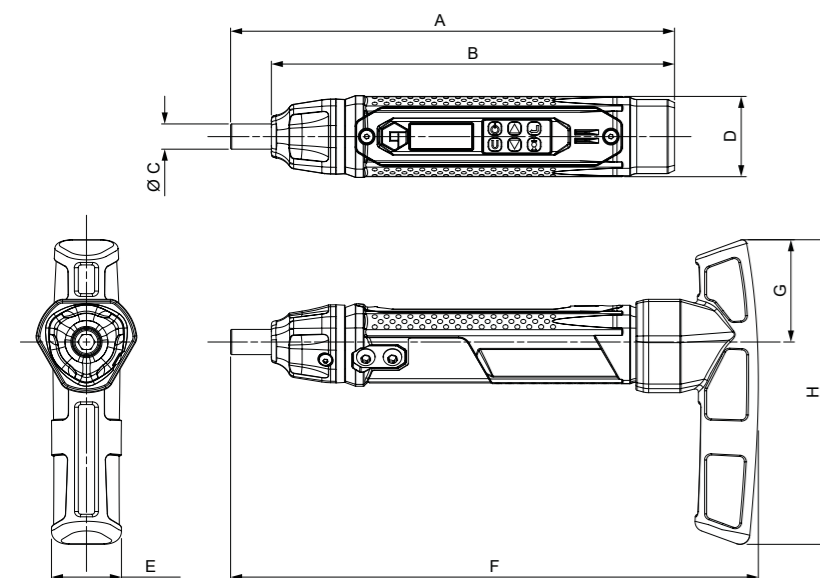


ProTronic® Plus Model 10 and Model 30

Model	ProTronic Plus 10	ProTronic Plus 30
Part Number	130522	130523
Torque Range (N-m)	0.5 - 10	1.5 - 30
Square Drive	¼"	¼"
Dimensions (mm)	A	282
	B	271
	C	234
	ØD	22
	E	20
	F	12
Weight (kg)	0.39	0.42



ProTronic® Plus Electronic Torque Screwdriver



Model	ProTronic Plus 9	
Part Number	130524	
Torque Range (N-m)	0.45 - 9	
Female Hex Drive	¼"	
Dimensions (mm)	A	190
	B	173
	C	11
	D	35
	E	30
	F	226
	G	44
	H	131
Weight (kg) without Handle	0.21	
Weight (kg) with handle	0.33	

GLOBAL SERVICE

Norbar is the only torque equipment manufacturer capable of offering tool and instrument calibration services to the original factory standard on four continents.

Accredited laboratories in Australia, USA, Singapore, China and India operate the same equipment and procedures as the UKAS accredited laboratory within our headquarters in the UK.



NORBAR TORQUE TOOLS LTD
Wildmere Road, Banbury, Oxfordshire, OX16 3JU
UNITED KINGDOM
Tel + 44 (0)1295 753600
Email sales@norbar.com



NORBAR TORQUE TOOLS
45-47 Raglan Avenue, Edwardstown
SA 5039
AUSTRALIA
Tel + 61 (0)8 8292 9777
Email norbar@norbar.com.au



NORBAR TORQUE TOOLS INC
36400 Biltmore Place, Willoughby
Ohio 44094
USA
Tel + 1 866 667 2272
Email inquiry@norbar.us



NORBAR TORQUE TOOLS PTE LTD
194 Pandan Loop, #07-20 Pantech Business Hub
SINGAPORE 128383
Tel + 65 6841 1371
Email enquires@norbar.sg



NORBAR TORQUE TOOLS (SHANGHAI) LTD
91 Building- 7F, No. 1122, North Qinzhou Road
Xuhui District, Shanghai
CHINA 201103
Tel + 86 21 6145 0368
Email sales@norbar.com.cn



NORBAR TORQUE TOOLS INDIA PVT. LTD
Plot No A – 168 Khairne Industrial Area
Thane Belapur Road
Mahape Navi Mumbai – 400 709
INDIA
Tel + 91 22 2778 8480
Email enquiry@norbar.in

NORBAR PRODUCT PORTFOLIO



Torque Screwdrivers



Torque Wrenches



Electronic Torque Wrenches



Manual Torque Multipliers



Pneumatic Torque Tools



Electronic Torque Tools



Battery Torque Tools



Torque Measurement Instruments



Torque Transducers



Calibration Services

NEW



PROTRONIC® PLUS

HIGH-PRECISION ELECTRONIC TORQUE AND ANGLE WRENCH WITH BLUETOOTH®



Distributed by

www.norbar.com



Part number 07607 | Issue 2

© Norbar Torque Tools Ltd 2021

THE NORBAR PROTRONIC® PLUS ELECTRONIC TORQUE AND ANGLE WRENCH: **PRECISE, VERSATILE, CONFIGURABLE AND CONNECTABLE**

The ProTronic® Plus retains all the features available in the ProTronic® standard versions with more advanced features included. Equipped with Bluetooth®, the ProTronic® Plus will work alongside a specially created app for more intuitive control when out in the field.

ProTronic® Plus ratchets are detachable on models 100, 200 and 340 allowing for easy customisation from Norbar's huge range of end fittings



Large LCD screen with bright backlight; numbers become larger and bolder during active torque for optimal viewing

Tough and dependable ratchets on all wrench models, reversible style on models 10, 30 and 800. Push-through ratchet on models 100, 200 and 340.

Compact design allowing for lower torque and access to more space-limited applications

Handle designed for a comfortable and secure grip

ProTronic® Plus 9 (screwdriver) comes with L-shaped handle for easier torque application

Battery cap has been designed to prevent accidental loosening.

Progressive LEDs provide an easy visual representation of torque progress allowing the user to more easily anticipate torque target

Flush fitted buttons to avoid accidental activation during use

KEY FEATURES

- Four alert modes (LCD, progressive LED, audible, vibration) provide excellent feedback in all working conditions
- 5 easily-selectable torque units: N-m, lbf-ft, lbf-in, dN-m, kg-cm and kg-m (200 N-m and above)
- The ability to programme up to 50 pre-sets in the tools saves time in setting up frequently occurring applications
- A wide range of advanced features (cycle counter, customisable sleep timer, language selection, auto torque calculation for torque adaptors, calibration alerts, battery level indication and numerous alert mode customisations) allow the user to tailor the tool to their work preferences
- Torque THEN Angle mode gives the user the ability to conveniently apply an angle to a fastener directly after achieving a torque target without the need to remove the torque wrench from the application
- Settings allow for operation in either English, Spanish, French, German, Italian, Dutch or Portuguese languages
- Power interruption technology helps to prevent loss of work and continuity if the wrench is impacted
- Patent pending built-in calibration factor feature allows different head lengths to be easily accommodated
- Patent pending Torque AND angle combo modes allow the user to monitor torque and angle simultaneously
- Works alongside newly developed app designed for live streaming of readings as they are taken
- Dual progressive LEDs have additional settings allowing customisation to user preference
- Pre-set lock feature allows the tool to be set-up with only these pre-sets available to the operator
- Sequence programming and job modes allows the user to chain together pre-sets in a particular sequence
- Storage case included
- Supplied with a traceable calibration certificate conforming with ISO 6789-2:2017 allowing end users to adhere to more stringent quality control processes
- UKAS accredited torque calibration in both clockwise and counter-clockwise direction
- Accuracy of $\pm 2\%$ when operating between 20% to 100% of tool capacity.
- Accuracy of $\pm 4\%$ when operating between 5% to 19% of tool capacity, except for ProTronic® Plus 9, 10 and 30 where the counter clockwise accuracy between 5% to 19% will be 6%.
- Angle accuracy of $\pm 1\%$ of reading, $\pm 1^\circ$ @ Angular Velocity $> 10^\circ/\text{Sec}$ $< 180^\circ/\text{Sec}$, $\pm 1^\circ$ for test fixture



NORBAR TORQAPP™; INTUITIVELY CONNECTING THE PROTRONIC® TO YOUR ANDROID DEVICE

TorqApp™ is a free, mobile application that connects to ProTronic® Plus, allowing the user to intuitively change tool settings and download results. Currently available on Android devices with iOS to follow shortly.



TORQAPP™ KEY FEATURES

- Intuitively change tool settings with ease directly from your Android device
- Instantly receive individually-completed results, with the ability to email these in .csv format quickly
- Monitor application data and progress in real time aiding the operator in keeping a track of bolting progress, particularly useful for sequenced/linked jobs
- Revisiting failed results when in sequence is easy
- Easily view, download or upload application and tool information for past results helping to keep a comprehensive record for traceability purposes



TorqApp™ can connect to any of these products 1 at a time

