

WE MANUFACTURE ECO FRIENDLY IMPACT SOCKETS



© momento
MADE IN SWITZERLAND

IMPACT SOCKETS

All Momento products are manufactured under one roof since 1951. With swedish high quality steel and our own hardening process we manufacture a wide range of impact sockets and accessories. One of Momento's strengths is the ability to develop customized sockets.

AB Momento located in Flen, Sweden is the only manufacturer in the world exclusively devoted to machine operated sockets and accessories. The whole manufacturing process takes place under one roof; from the cutting of the steel rods to hardening and surface treatment. The company accounts for 25% of the total manufacture of impact sockets in Europe and more than 80% of Momento's production is exported to 60 countries. Key markets are automotive, mining, shipbuilding, wind power and the oil and gas industries.



As part of a long term environmental initiative, Momento is the first company in the world to have successfully developed a coating without using any heavy metals in the surface treatment process. The new coating, Momento Silverline™, has been developed with the aim to protect the environment through an environmentally friendly manufacturing process, but also to help Momento's clients worldwide to



respond to new environmental targets. Until today, black oxide has been the most common coating used on impact sockets because paint or chromium is not approved by ISO standards. Years of research and testing has proved that Momento Silverline™, with its light silver hue meets or exceeds all the performance characteristics of previous products.



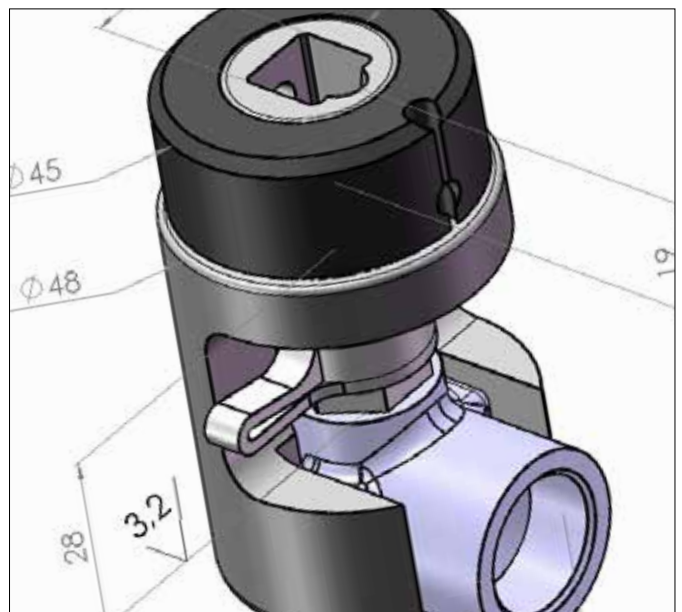
Momento's mission is to fill the gap between the power tool and the threaded fastener. We supply anything that you might need for this purpose. When it comes to power driving tools, impact sockets are the only answer. Momento's impact sockets and accessories will fit both impact wrenches, electric nutrunners and hydraulic torque wrenches.



Momento control the whole manufacturing process from design and calculation, cutting of the steel rods, machining, hardening and surface treatment.



A versatile heat treatment department fully equipped for tempering, annealing, casehardening, nitro carburizing, nitride hardening and carbonitriding secures the right properties for each product.



Momento design and produce special tools to meet the individual requirements of every single customer.

Momento's impact sockets and accessories conform to the international standards ISO 1174-2, 1703, 1711-2, 2725-2 and 2725-3. Momento are ISO 9001 quality certified and ISO 14001 certified for their environmental management system.





STANDARD IMPACT SOCKETS

Available for square drives: 1/4"-3 1/2"
Wrench widths of 4-255 mm as standard.

The classic 6-point socket for all types of uses.



THIN WALL-T

Available for square drives: 3/8"-1"
Wrench width between 6-60 mm.

For better access in tight applications.

NOTE! The thin-walled socket should not be used with impact wrenches.



LONG-L

Available in different variants such as double hexagon (D6K), surface and others.

Available for square drives: 3/8"-2 1/2"
Wrench widths between 4-170 mm.

The long socket allows you to reach the nut even if the screw is sticking up just above the wing nut.



12-POINT SOCKETS - D6K

D6K means double 6-edge. These sockets make it easy to board the screw as it has double 6-edge grip in the socket.

Available for square drives : 1/2"-1 1/2"
Wrench width between 10-105 mm.

Also available in thin-wall design.



SURFACE DRIVE-SF

Surface drive power sockets are designed primarily for assembly machines. Particularly suitable in multiple mounting.

Available for square drives: 3/8"-1"
Key widths between 8-36 mm.



ADAPTERS-PA, IPA & UK

We have a wide range of adapters and universal joints for increased flexibility between different socket connections and drive lugs on the machine. With Momento's compact efforts reduced overall height to a minimum. IPA is provided with magnet that keep them in the right position.



EXTENSIONS-EB

For square drives: 1/4"-2 1/2"
Extensions are available in several different lengths.

The smaller models have locking with spring pin.
The larger models have through holes for the locking pin.



UNIVERSAL SOCKETS-US

Momento's universal sockets are spring loaded and can be set to the desired angle. (30 degrees for power tools.)

For square drive: 1/2"
Wrench widths between 13-24 mm.

Available in both short and long version.



AXIAL NUT SOCKETS-KM

KM sockets for mounting/dismounting of bearings nuts. They replace hook keys and makes it possible to use the impact wrench or torque wrench.

Available for square drives: 3/8"-1" from KM-0 and up.



STUD RUNNER SOCKETS

Bolt bushings for mounting studs. We have a wide range of both metric and inch thread studs.

For square drives: 1/2"-1"

Thread: M6-M48 (also available with thread of inch).



HOLDER AND BITS

We have bit holders with square drives: 3/8"-1 1/2"

Bits are from 5-50 mm hexagon and corresponding inch sizes. Bits is locked with a pointed screw against the V-shaped groove in bits corner.

If necessary, screw secured further with thread locker.



4-POINT SOCKETS-4K

Square sockets used to tighten screws with square heads.

Available for square drives: 3/8"-1"

Wrench width: 5-46 mm (also available in corresponding inch sizes).



TORQUE SOCKETS-NMC

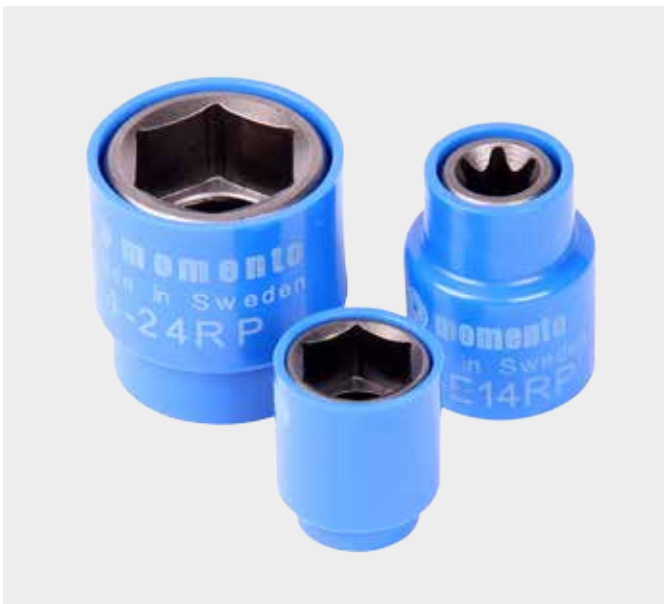
Torque sockets are designed for tightening of automobile wheels with impact wrenches. The long and narrow waist dampens excess power of the wrench. The actual torque depends on the wrench fitness and supply pressure. Check regularly with a torque wrench. Wrench width: 17-21 mm. Square drive: 1/2". Colour coding for identification of the desired torque.



SOCKET SETS

In our catalogue you also find sets of sockets in different sizes to meet your needs. Hexagon, Torx, Long, IPA and Torque sockets are some examples.

See our main catalogue for more information!



SILVERLINE™ COVER

When working with screwdriving on sensitive surfaces (for example lacquered steel in the automotive industry) it needs a protected socket to avoid scratches and paint damage. Momento's Silverline™ Cover is available in both 6-edge and Torx performance from 3/8"-3/4" square drive and wrench width between 6-24 mm.

See separate brochure for more information!



BOLTING ACCESSORIES

Momento also offer a program with accessories for hydraulic torque tools regardless of manufacturer. The Reducing Inserts (RI), Back-Up Wrenches (BUW) and Safety Nuts (SN).

See separate brochure for more information!

WORLDWIDE PRESENCE



MADE IN SWEDEN SINCE 1951 / www.momento.se

MOMENTO
P.O. Box 14
642 21 Flen
Sweden

VISITING ADDRESS
Kungsvägen 68
642 34 Flen
Sweden

CONTACT US
+46 157-690 00
info@momento.se
www.momento.se

