

FLEX

Das Original

Power from a quiet source

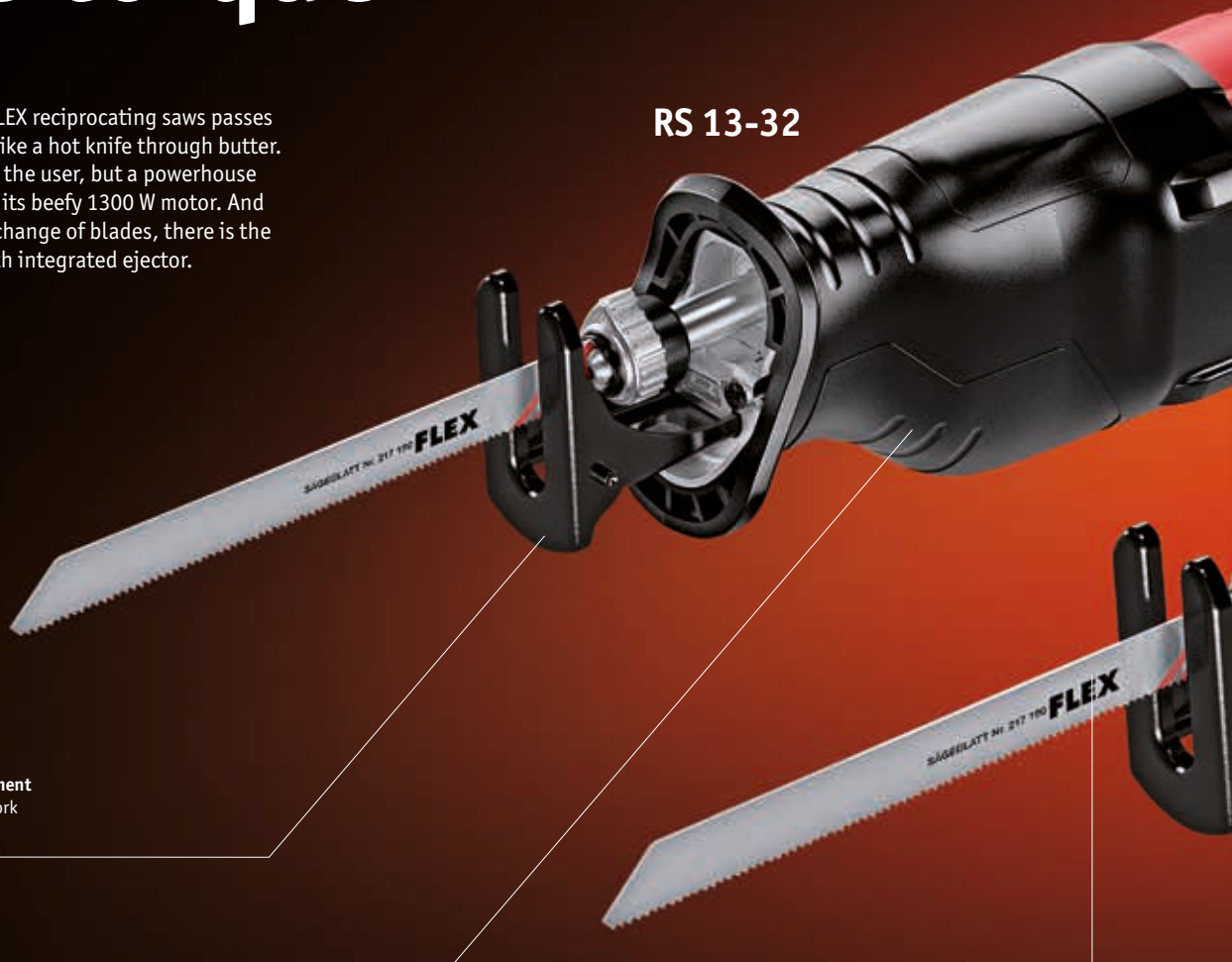
The new FLEX
reciprocating saws



Less vibration, more torque

The new generation of FLEX reciprocating saws passes through every material like a hot knife through butter. Easy and fatigue-free on the user, but a powerhouse on workpieces thanks to its beefy 1300 W motor. And for the fast and keyless change of blades, there is the Quick Change facility with integrated ejector.

RS 13-32



Saw shoe with keyless adjustment
Also removable for fast jamb work

Microprocessor control
For soft start, overload protection,
and constant speed



Overload
Protection



Soft Start



Constant
Drive Control

Tool-free saw blade change
With integrated ejector for easy blade
changes

The new generation presents a wide range of convincing features

- Continuous pendulum stroke adjustment
- Saw shoe with tool-free adjustment
- Integrated saw blade ejection for tool-free saw blade replacement
- Vibration balancing for long service life and fatigue-free working
- Rotational speed control for right-handers and left-handers
- Microprocessor electronics for soft start, overload protection and constant speed
- Reciprocating saw RSP 13-32: Additionally with continuous pendulum stroke adjustment





1300 W motor
High-torque motor for heavy work and long running times

Rotational speed control
For right-handers and left-handers, continuously adjustable, for sawing to suit the material

RSP 13-32



Twin-bearing lifting rod guide
With vibration balancing for maximised service life and fatigue-free working, and so less strain on the user's tendons and joints

Rubber cable H07, 4 m
For use on construction sites and great flexibility



RSP 13-32

Continuous pendulum stroke adjustment
From 0–3 mm, to make faster progress when working on non-metal materials

TECHNICAL DATA RS 13-32/RSP 13-32	
Stroke rate at no-load	0–3000
Power consumption	1,800 watts
Power output	600 watts
Saw blade length	32 mm
Cable length	4.0 m
Weight	4.6 kg

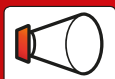
ORDER NO. RS 13-32	438.383
Price excl. VAT	€219.00
ORDER NO. RSP 13-32	438.367
Price excl. VAT	€259.00

The tough one for all work

1,100 watt universal reciprocating saw with accelerator trigger switch

RS 11-28

- VV electronics: with constant stroke rate control, soft start with accelerator trigger switch
- Universal saw blade holder: for easy saw blade exchange
- Keyless saw blade exchange with ejection function
- Saw blade can be turned through 180°
- Detachable, swivel saw support, keyless depth adjustment
- Ergonomically designed, nonslip, rubberised handle
- Rubberised gear case for a secure and pleasant grip
- Dust-proof and splash-proof housing
- Integrated LED lamp



LED Light



Soft Start



TECHNICAL DATA

Stroke rate at no-load	0–2700 spm
Stroke	28 mm
Power input	1,100 watts
Power output	600 watts
Max. material thickness, timber	230 mm
Max. material thickness, metal	20 mm
Cable length	4.0 m
Weight	3.6 kg

ORDER NO.	432.776
Price excl. VAT	€149.00



Really up to speed



Compact, robust and particularly hard-wearing

RS 29 18.0 cordless reciprocating saw

- Electronic management system protects the tool, extends the service life, and increases efficiency
- Accelerator trigger switch with locking function
- Electronic quick-acting brake
- Saw blade can be turned through 180°
- Ergonomically designed, nonslip, rubberised handle
- Integrated LED lamp with persistence function
- LED rechargeable battery status display
- FLEX rechargeable battery system: Suitable for all 18.0 V battery packs
Delivery does not include battery or charger



High-power performance motor
Durable and reliable high-performance motor



Optimum support
Tool-free, detachable, swivelling saw support with depth adjustment

TECHNICAL DATA	
Stroke rate at no-load	0–3100 spm
Stroke	29 mm
Battery voltage	18.0 V
Battery capacity	2.5 / 5.0 Ah
Weight without battery	2.9 kg

ORDER NO. RS 29 18.0	417.874*
Price excl. VAT	€179.00
ORDER NO. RS 29 18.0/5.0 Set	462.799
Price excl. VAT	€349.00

* Delivered in L-BOXX® (without battery packs and charger)



Switch-activated pendulum stroke
Improved sawing performance when cutting timber



Quick-change system for the saw blades
For quick and easy saw blade changing without tools



Li-ion battery pack AP 18.0 V/2.5 or 5.0 Ah

- Integrated charge and discharge protection
- Dust-proof and splash-proof
- Integrated charge status indicator shows at a glance the charge of the battery cells, charging times with CA 10.8/18.0.

ORDER NO.	445.886	445.894
	AP 18.0 V / 2.5 Ah	AP 18.0 V / 5.0 Ah
Price excl. VAT	€63.00	€98.00



CA 10.8/18.0 charging station

- Charges 10.8 V and 18.0 V battery packs.
- Integrated battery pack cooling, overheating, discharge and overload protection
- LCD display The large-format LCD display with a charge time and charge indicator shows the remaining charge time, for the best planning capability on the construction site

ORDER NO.	417.882
Price excl. VAT	€58.10

Accessories

Reciprocating saw blades for solid and sheet metal



Cuts of
2-8 mm

- Stainless steel
- Metal/steel
- Sheet steel, steel tubing
- Open/closed sections

Part	Teeth per inch	Length in mm	PU	Order no.	Price excl. VAT
RS/Bi-150 6 VE5	6	150	5	462.055	€12.90



Cuts of
1.5-3 mm

- Stainless steel
- Metal/steel
- Sheet steel, steel tubing
- Open/closed sections

Part	Teeth per inch	Length in mm	PU	Order no.	Price excl. VAT
RS/Bi-150 18 VE5	18	150	5	462.063	€12.90



Solid and sheet metal
2-8 mm
Timber/pallet
manufacturer
3-180 mm

- Stainless steel
- Metal/steel
- Sheet steel, steel tubing
- Open/closed sections
- Timber/pallet manufacturer

Part	Teeth per inch	Length in mm	PU	Order no.	Price excl. VAT
RS/Bi-230 14 VE5	14	230	5	462.071	€15.20

Reciprocating saw blades for metal, timber, plastic materials



Cuts of
6-100 mm

- MDF, timber containing nails
- For building renovation/window frames
- Metal/steel
- Glass-fibre reinforced plastics/epoxy
- Curved cuts

Part	Teeth per inch	Length in mm	PU	Order no.	Price excl. VAT
RS/Bi-150 6 VE5	6	150	5	462.098	€15.20



Timber/plastics
3-100 mm

Steel/metal
3-12 mm

- Timber containing nails
- Glass-fibre reinforced plastics/epoxy
- Stainless steel
- Metal/steel
- Steel tubing

Part	Teeth per inch	Length in mm	PU	Order no.	Price excl. VAT
RS/Bi-150 10 VE5	10	150	5	462.101	€12.90



Timber/plastics
3-190 mm

Steel/metal
3-12 mm

- Timber containing nails, pallet manufacture
- Glass-fibre reinforced plastics/epoxy
- Metal/steel
- Steel tubing

Part	Teeth per inch	Length in mm	PU	Order no.	Price excl. VAT
RS/Bi-230 10 VE5	10	230	5	462.128	€16.50

Reciprocating saw blade for demolition



Cuts up to 180 mm

- Accurate angular cuts
- Hardwood, MDF, timber containing nails
- Building renovation/window frames
- Glass-fibre reinforced plastics/epoxy

Part	Teeth per inch	Length in mm	PU	Order no.	Price excl. VAT
RS/Bi-230 10 VE5	10	230	5	462.136	€25.40

Reciprocating saw blade for insulation material



Cuts up to 6-200 mm

- Very clean cuts
- Insulation material, mineral wool
- Foam, polystyrene (Styrofoam, Styrodur)
- Leather, rubber, paper, carton
- Carpet

Part	Length in mm	PU	Order no.	Price excl. VAT
RS/CV-300 W VE2	300	2	462.144	€25.40

Reciprocating saw blade for timber

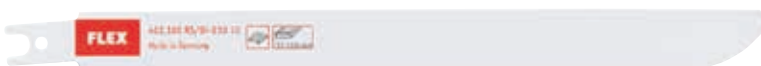


Cuts up to 6-150 mm

- Very clean cuts
- Plywood
- Multiplex/blockboard
- MDF
- Laminated panels

Part	Teeth per inch	Length in mm	PU	Order no.	Price excl. VAT
RS/CV-230 10 VE2	10	230	2	462.152	€28.10

Reciprocating saw blade for pallets



Cuts up to 30-100 mm

- Pallet manufacture

Part	Teeth per inch	Length in mm	PU	Order no.	Price excl. VAT
RS/Bi-230 10 VE5	10	230	5	462.160	€16.80

Reciprocating saw blade set for plastic/wood/metal



- 1 reciprocating saw blade, 1.5-3 mm in stainless steel, metal/steel, sheet steel, steel tubing, open/closed sections
- 1 reciprocating saw blade, 6-100 mm in MDF, timber containing nails, for building renovation/window frames, metal/steel, glass-fibre reinforced plastics/epoxy, curved cuts
- 1 reciprocating saw blade, 3-190 mm in timber containing nails, pallet manufacture, glass-fibre reinforced plastics/epoxy, 3-12 mm in metal/steel, steel tubing

Length in mm	PU	Order no.	Price excl. VAT
150	3	198.757	€11.20

More information about our machines is available from your trained specialist retailer or at www.flex-tools.com

FLEX
Das Original

FLEX-Elektrowerkzeuge GmbH
Bahnhofstraße 15
71711 Steinheim
Germany
www.flex-tools.com



Your FLEX retailer:

EN/03-2018